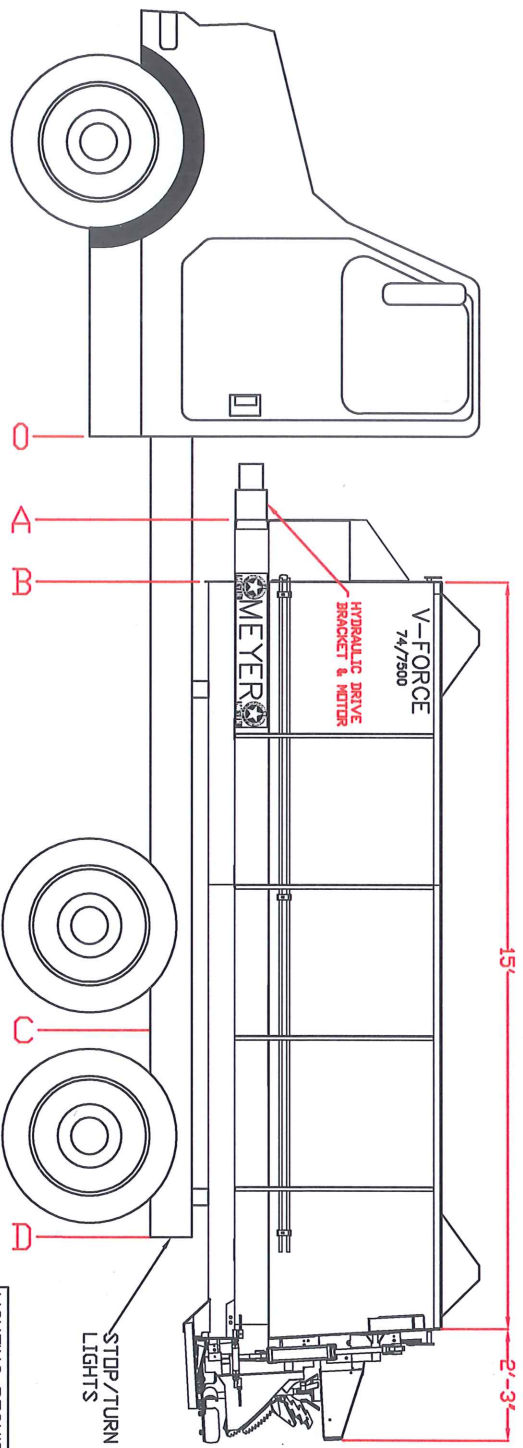


HYDRAULIC WET KIT OR TRUCK PTO PROVIDED BY CUSTOMER

DIMENSIONAL DATA FOR TRUCK MOUNTED V-FORCE MANURE SPREADERS



SIZE	A	B	C	D
74/7500	28"	43"	151"	201"

TRUCK PTO REQUIREMENTS--(DIRECT OR HYDRAULIC DRIVE)
TRUCK PTO- 300 FT/LBS INTERNAL TORQUE MINIMUM

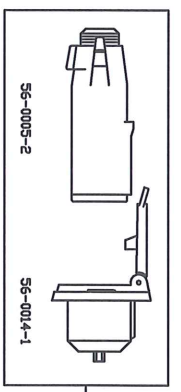
HYDRAULIC DRIVE REQUIREMENTS
PUMP REQUIREMENTS OF 3250-3400 PSI CONTINUOUS AT A MAXIMUM OF 40 GAL./MIN. @ 1900-2000 ENGINE RPM
MANIFOLD RELIEF INSTALLED AND SET AT 3250 PSI
RESERVOIR CAPACITY-80 GALLON MINIMUM (W/OIL) W/INLINE COOLER (CAPACITY 33 HP MIN. @ 40 GPM), 130 GALLONS (W/OIL) WITHOUT COOLER
DIRECT DRIVE REQUIREMENTS

GEARBOX DRIVE SYSTEM (STANDARD)
100% OF ENGINE SPEED TO REACH 1000 RPM INPUT AT SPREADER
CHAIN DRIVE SYSTEM (OPTIONAL)
60-80% OF ENGINE SPEED TO REACH 1000 RPM INPUT AT SPREADER
#80 ROLLER CHAIN RECOMMENDED
JACK SHAFT SPROCKET-AS REQUIRED
V-MAX/FORCE DRIVE 80B24 (CLUTCH PACKAGE)

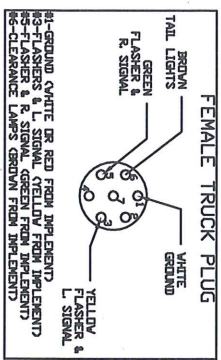
MEYER MANUFACTURING WILL NOT BE RESPONSIBLE FOR UNITS THAT ARE NOT SET UP ACCORDING TO THE SPECIFICATIONS ON THIS PAGE. SYSTEM FAILURE COULD OCCUR ALONG WITH POOR PERFORMANCE.

LIGHTING REQUIREMENTS
TRUCK MUST BE EQUIPPED WITH STOP, TURN & TAIL LIGHTS

SUPPLY A 7-PIN MALE & FEMALE PLUG OFF THE REAR OF CAB FOR LIGHT HOOK-UP TO IMPLEMENT, LOCATED CENTRALLY BEHIND CAB. FROM MEYER ORDER 56-0005-2 & 56-0014-1.



TAIL LIGHT CONVERTER
DEPENDING ON MAKE AND MODEL OF TRUCK IT MAY BE NECESSARY TO INSTALL A LIGHT CONVERTER (MEYER PART #56-0028). CONVERTER ALLOWS SIGNAL LIGHTS AND BRAKE LIGHTS TO OPERATE ACCORDING TO DOT LIGHTING.



NAME	DATE	MEYER MFG CORP.	
JAA	3/30/2016		
CHECKED		MATERIAL	
UNLESS OTHERWISE SPECIFIED: DIMENSIONS ARE IN INCHES TOLERANCES: FRACTIONAL ±1/32" ANGULAR MACH ± TWO PLACE DECIMAL ±0.030" THREE PLACE DECIMAL ±0.015"		TITLE:	SV74/7500 TRUCK MOUNT
DRAWN		SIZE	DWG. NO.
		A	SV7000-TRUCK
SCALE: 1:1		WEIGHT:	REV
			—
			SHEET 1 OF 1